

e110 LED WORK LAMPS

FROM GROTE



ALUMINUM
CONSTRUCTION

12/24V

DUAL
VOLTAGE



FLOOD
BEAM PATTERN

OEM

OEM
SPEC

WITH MULTIPLE OUTPUT LEVELS, AND BEAM PATTERNS, GROTE'S e110 LED WORK LAMPS DELIVER A POWERFUL AND VERSATILE EQUIPMENT LIGHTING SOLUTION.



OPTICAL CHARACTERISTICS

Color Temperature (CCT)	5700K
Color Rendering Index (CRI)	70

ELECTRICAL CHARACTERISTICS

Operating Voltage Range	9 - 32 V
Operating Temperature Range	-40° C to +50° C
Reverse Polarity Protection	✓
Overheat Protection	✓
ESD, Overvoltage and Transient Protection	✓

MECHANICAL CHARACTERISTICS

Materials	Lens: UV-resistant Polycarbonate Housing: Aluminum Powder-Coated
IP Code	IP69
Maximum Storage Temperature	-55° C to +110° C
Impact and shock resistance	50 G
Vibration Resistance	5 G (5 - 500 Hz)

APPROVALS AND CERTIFICATES

ISO 7637-2	✓
ISO 10605	✓
ISO 11452	Section 2, 4 and 5
ISO 20653	✓

FEATURES & BENEFITS

- Thanks to a variable voltage range of 9 to 32 volts, e110 LED Work Lamps are highly adaptable for different environments
- Meet stringent EMC requirements in accordance with CISPR 25 Class 5
- Constant luminance over the whole operating temperature range
- State-of-the-art TIR-only lens design maximizes optical efficiency
- Rated IP69K, making it pressure-washer safe
- Circuitry protected against automotive transients, DC over- and undervoltage, and ESD
- Unique thermal design improves durability for a lamp that lasts longer

PRODUCT NUMBER	BEAM PATTERN	LUMENS	VOLTAGE	AMPERAGE	MOUNTING TYPE
64Y21	NEAR FLOOD	3000	9-32V	3.47 A (12 V); 1.73 A (24 V)	PENDANT
64Y31	FAR FLOOD	3000	9-32V	3.47 A (12 V); 1.73 A (24 V)	PENDANT
64Z21	NEAR FLOOD	4000	9-32V	4.4 A (12 V); 2.2 A (24 V)	PENDANT
64Z31	FAR FLOOD	4000	9-32V	4.4 A (12 V); 2.2 A (24 V)	PENDANT



EZ-FIND

SCAN FOR TECH SPECS,
RELATED PRODUCTS
AND MORE

FOR MORE INFORMATION
VISIT OUR WEBSITE.
GROTE.COM

Grote

e110 LED WORK LAMPS FROM GROTE



ALUMINUM
CONSTRUCTION

12/24V

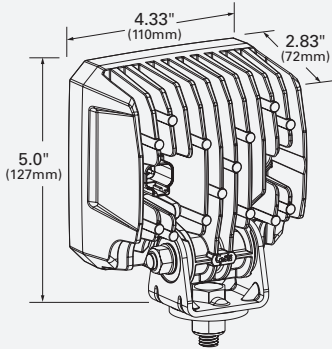
DUAL
VOLTAGE



FLOOD
BEAM PATTERN

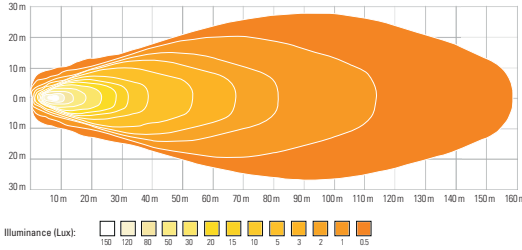
OEM

OEM
SPEC

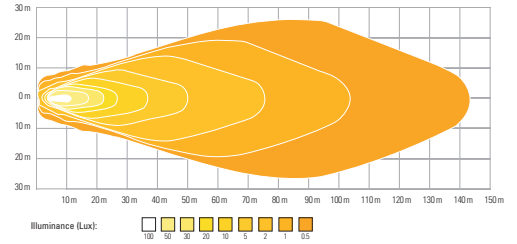


Deutsch
Connector

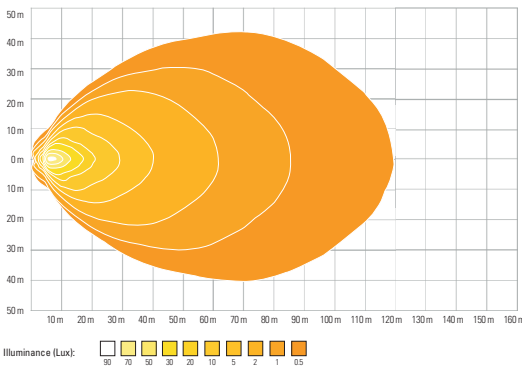
FAR RANGE - (64Z11 & 64Z31)



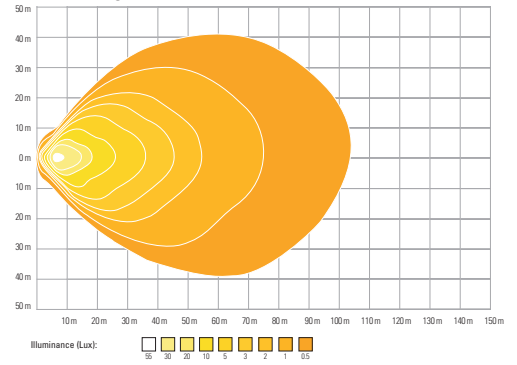
FAR RANGE - (64Y11 & 64Y31)



CLOSE RANGE - (64Z01 & 64Z21)



CLOSE RANGE - (64Y01 & 64Y21)



GLB2026-104

EZ-FIND

SCAN FOR TECH SPECS,
RELATED PRODUCTS
AND MORE

FOR MORE INFORMATION
VISIT OUR WEBSITE.
GROTE.COM

