

# e90 LED WORK LAMPS

## FROM GROTE



ALUMINUM  
CONSTRUCTION

**OEM**

OEM  
SPEC



FLOOD  
BEAM PATTERN



IP69K  
CERTIFIED

**WITH MULTIPLE OUTPUT LEVELS, BEAM PATTERNS, AND A LONG SERVICE LIFE, GROTE'S e90 LED WORK LAMPS DELIVER A POWERFUL AND VERSATILE EQUIPMENT LIGHTING SOLUTION**



#### OPTICAL CHARACTERISTICS

|                             |           |
|-----------------------------|-----------|
| Color Temperature (CCT)     | 5700K     |
| Color Rendering Index (CRI) | 70        |
| Efficacy                    | 60 lm / W |

#### ELECTRICAL CHARACTERISTICS

|   |                  |
|---|------------------|
| Operating Temperature Range               | -40° C to +50° C |
| Reverse Polarity Protection               | ✓                |
| Overheat Protection                       | ✓                |
| ESD, Overvoltage and Transient Protection | ✓                |

#### MECHANICAL CHARACTERISTICS

|                             |   |
|-----------------------------|---|
| Materials                   | Lens: UV-resistant Polycarbonate<br>Housing: Aluminum Powder-Coated |
| Color                       | Black   |
| IP Code                     | IP69K   |
| Maximum Storage Temperature | -55° C to +110° C   |

#### APPROVALS AND CERTIFICATES

|                        |                                |
|------------------------|--------------------------------|
| ECE                    | R10, R23                       |
| CE                     | ✓                              |
| ISO 7637-2/ISO 16750-2 | Without testpuls 5 (load dump) |
| ISO 10605              | ✓                              |
| ISO 11452              | Section 2, 4 and 5             |
| CISPR25                | ✓                              |

#### FEATURES & BENEFITS

- Compact housing with a depth of only 3.5 cm/1.38"
- Robust materials enhance endurance in tough environmental conditions
- Water- and dust-proof in accordance with IP69K
- Premium level EMC requirements (CISPR25 Class 5) - won't interfere with radio signals

| PRODUCT NUMBER | BEAM PATTERN    | LUMENS | VOLTAGE | AMPERAGE | TERMINATION |
|----------------|-----------------|--------|---------|----------|-------------|
| 64V01-3        | NEAR FLOOD      | 1010   | 24 V    | 0.6 A    | DEUTSCH     |
| 64V11-3        | NEAR FLOOD      | 1010   | 12 V    | 1.4 A    | DEUTSCH     |
| 64V61-3        | FAR FLOOD - R23 | 1010   | 12 V    | 1.4 A    | DEUTSCH     |
| 64V71-3        | FAR FLOOD - R23 | 1010   | 24 V    | 0.6 A    | DEUTSCH     |
| 64V81-3        | NEAR FLOOD      | 1010   | 12 V    | 1.4 A    | DEUTSCH     |
| 64V91-3        | NEAR FLOOD      | 1010   | 24 V    | 0.6 A    | DEUTSCH     |



**EZ-FIND**

SCAN FOR TECH SPECS,  
RELATED PRODUCTS  
AND MORE

**FOR MORE INFORMATION  
VISIT OUR WEBSITE.  
GROTE.COM**

**Grote**

# e90 LED WORK LAMPS FROM GROTE



ALUMINUM  
CONSTRUCTION

OEM

OEM  
SPEC

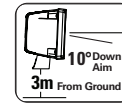
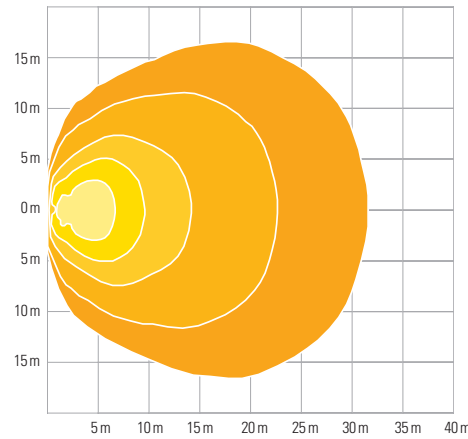


FLOOD  
BEAM PATTERN



IP69K  
CERTIFIED

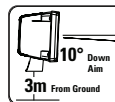
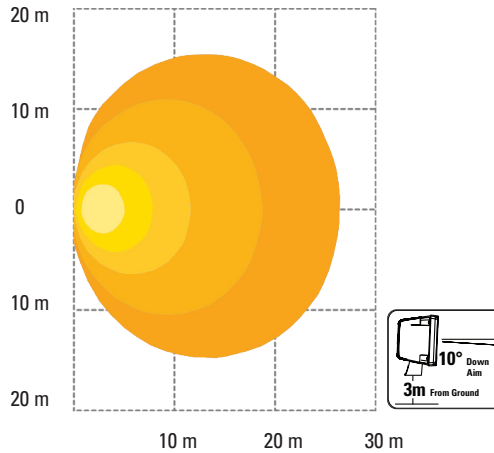
### NEAR FLOOD - ISOLUX (64V81-3, 64V91-3, 64V81-4, 64V91-4)



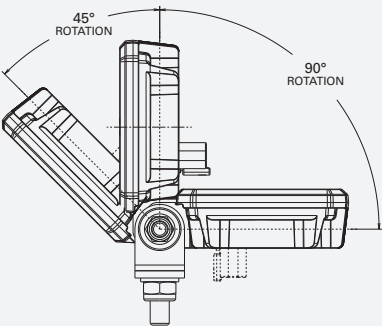
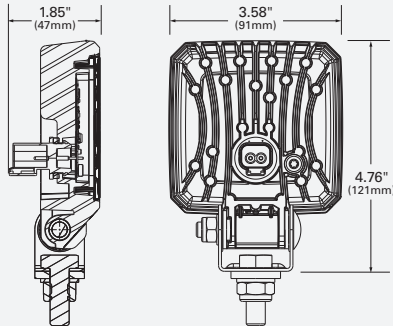
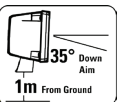
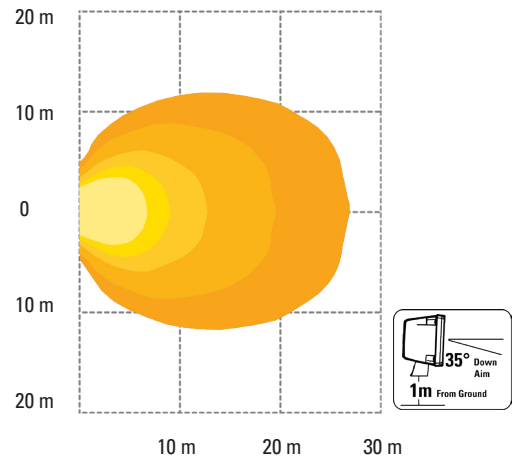
Illuminance (Lux)



### NEAR FLOOD - ISOLUX (64V41-3, 64V51-3)



### FAR FLOOD (R23) - ISOLUX (64V21-3, 64V31-3)



**EZ-FIND**  
SCAN FOR TECH SPECS,  
RELATED PRODUCTS  
AND MORE

FOR MORE INFORMATION  
VISIT OUR WEBSITE.  
**GROTE.COM**

